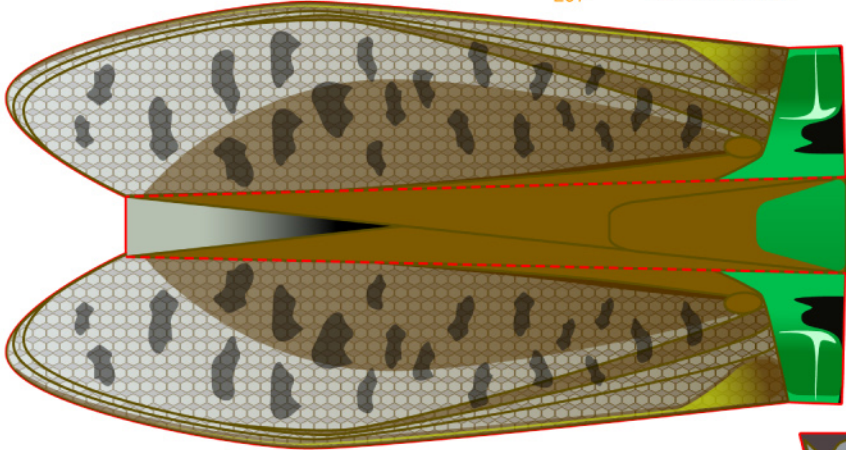


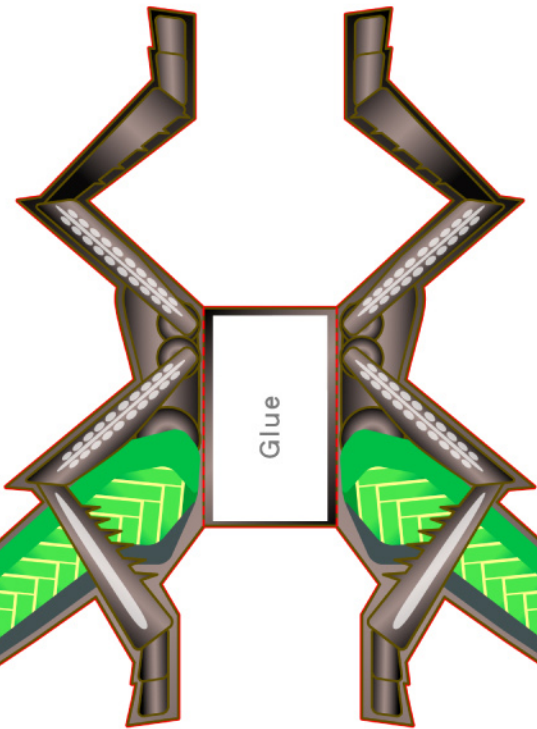


Locust wing

L07

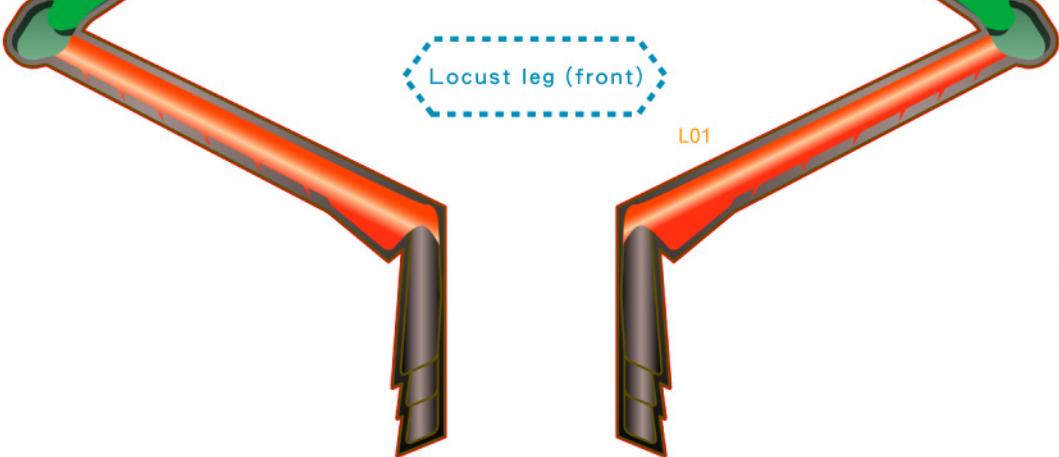


L06

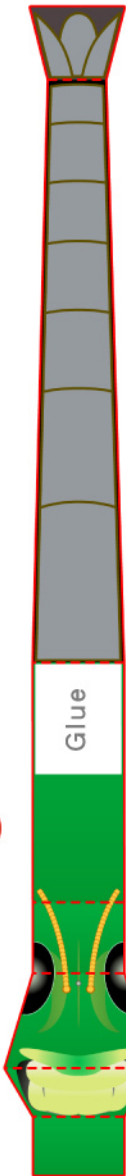


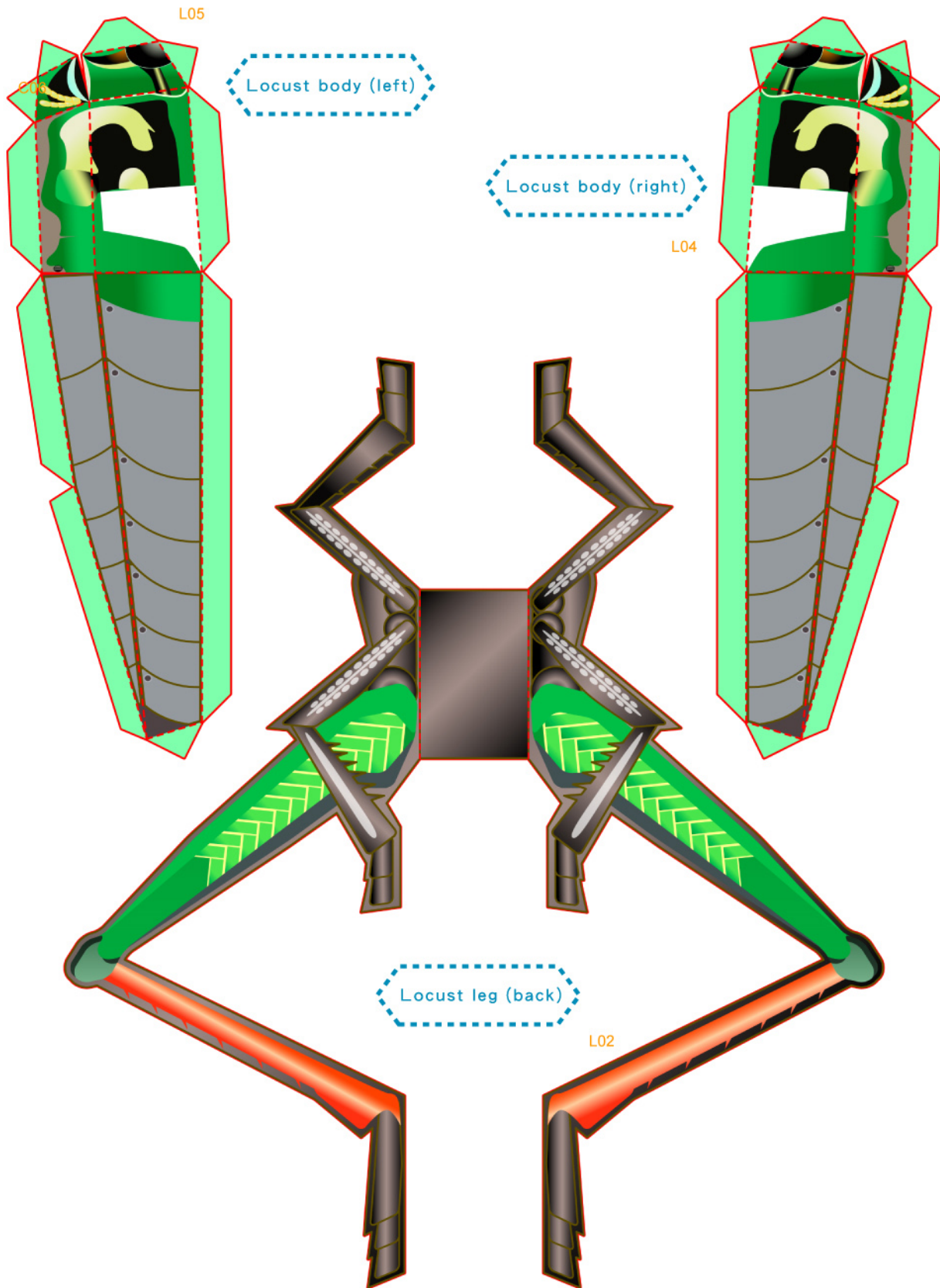
Locust leg (front)

L01



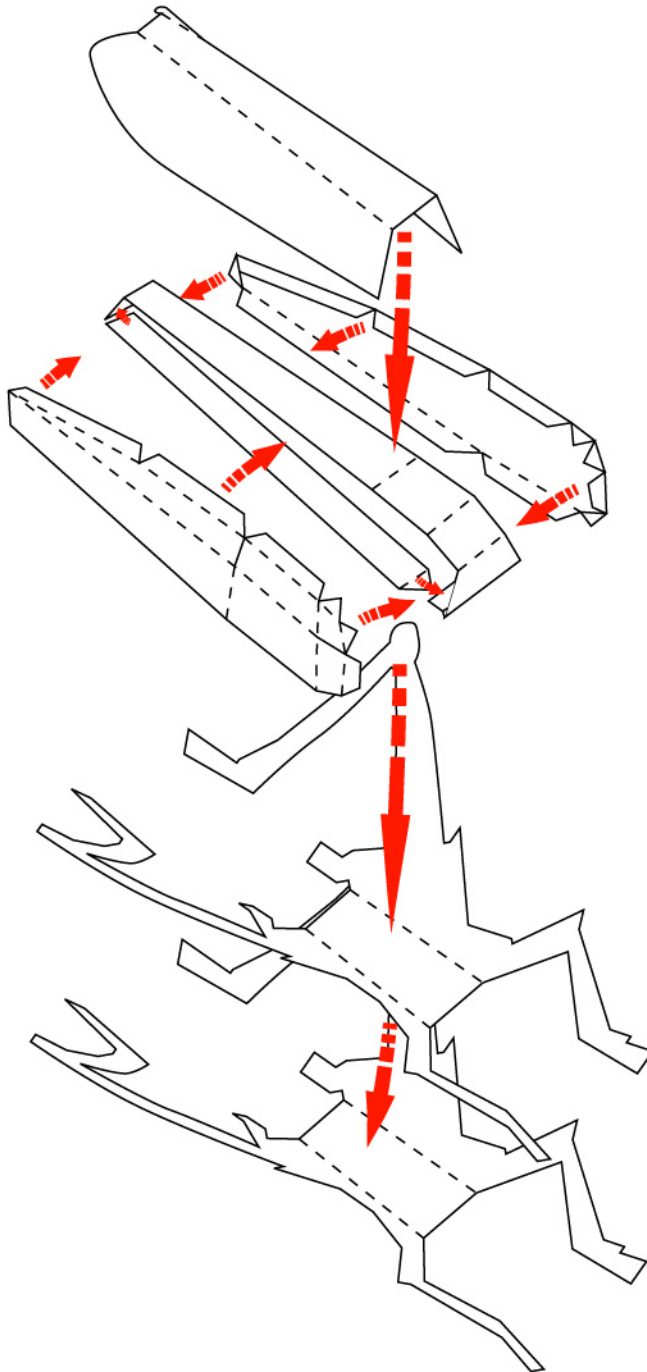
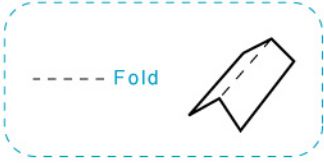
L03



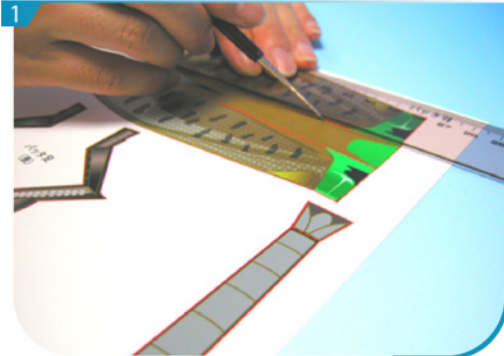




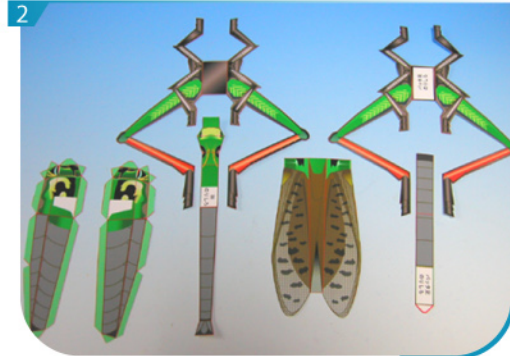
Assembly Instructions



Basic steps

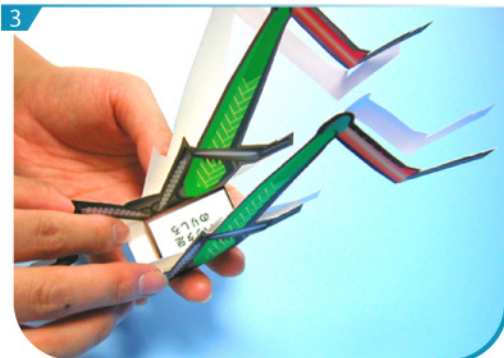


Use a pen whose ink has dried out, or a tracer, to trace lines first.

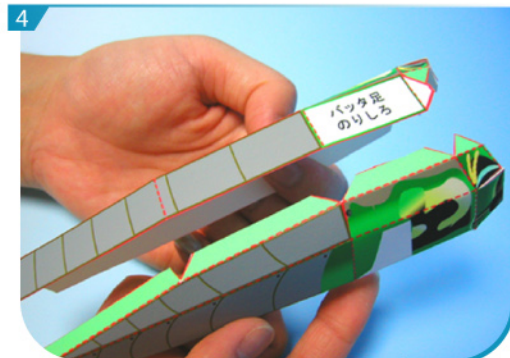


Separate all parts along the lines. Mark their identity on the back to avoid confusion.

Instructions



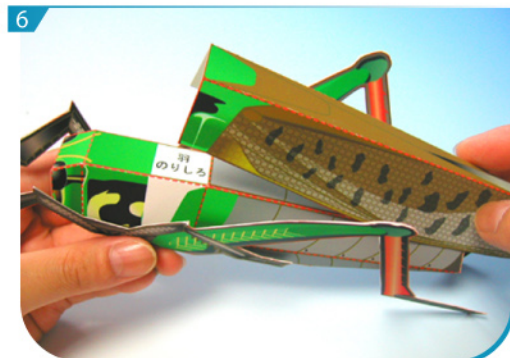
Fold and glue L01 and L02 to form a pair of legs.



Fold and glue L03, L04, L05 and L06 to form body of Locust.



Glue the legs and body according to the marked positions.



Finally, glue the wing P07 according to the marked positions. The Locust is now done.