



P05



P04




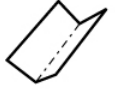
P06



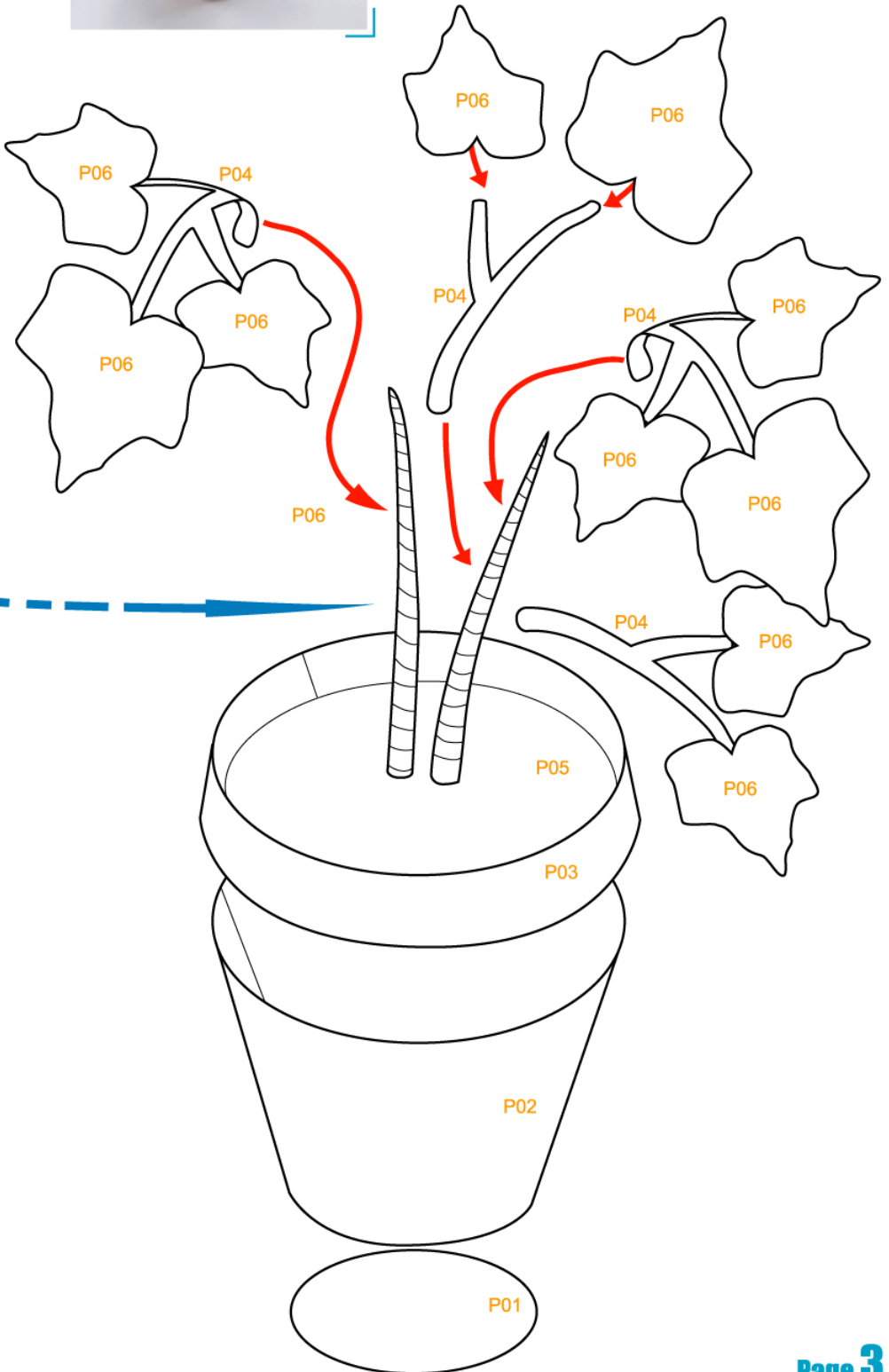
Assembly Instructions



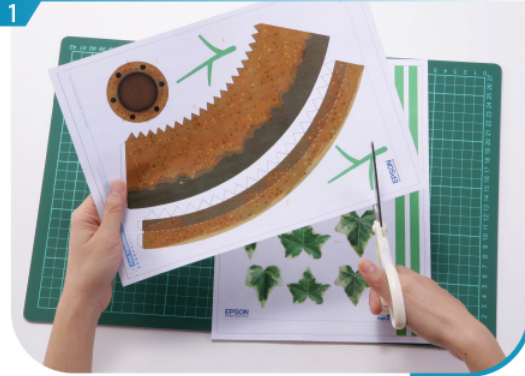
--- Outward fold 

--- Inward fold 

✗ Cut away parts



Instructions



1 Separate all parts along the lines. Mark their identity on the back to avoid confusion.



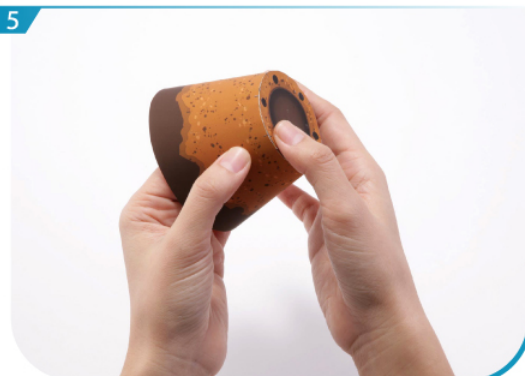
2 Use a pen whose ink has dried out, or a tracer, to trace lines first.



3 Fold the parts along the lines.



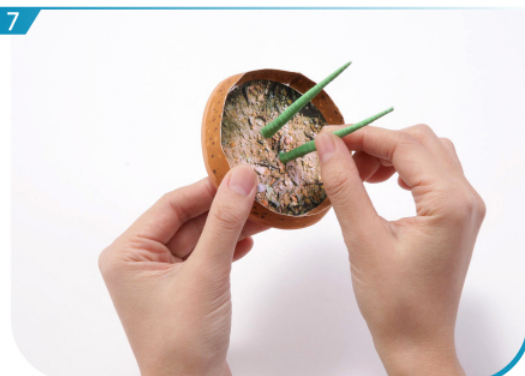
4 First, use a cylindrical pen to roll P02 and P03. Roll green strips into sticks about 10cm long.



5 Roll and glue P02 and P03 separately, then bind them together. Glue P01 to the bottom to form a pot.



6 Glue P03 and P05 together.



7 Glue green sticks to the pot and randomly add P04 on to the sticks.



8 Finally, glue leaves P06 on to the sticks to grow an ivy of your choice.