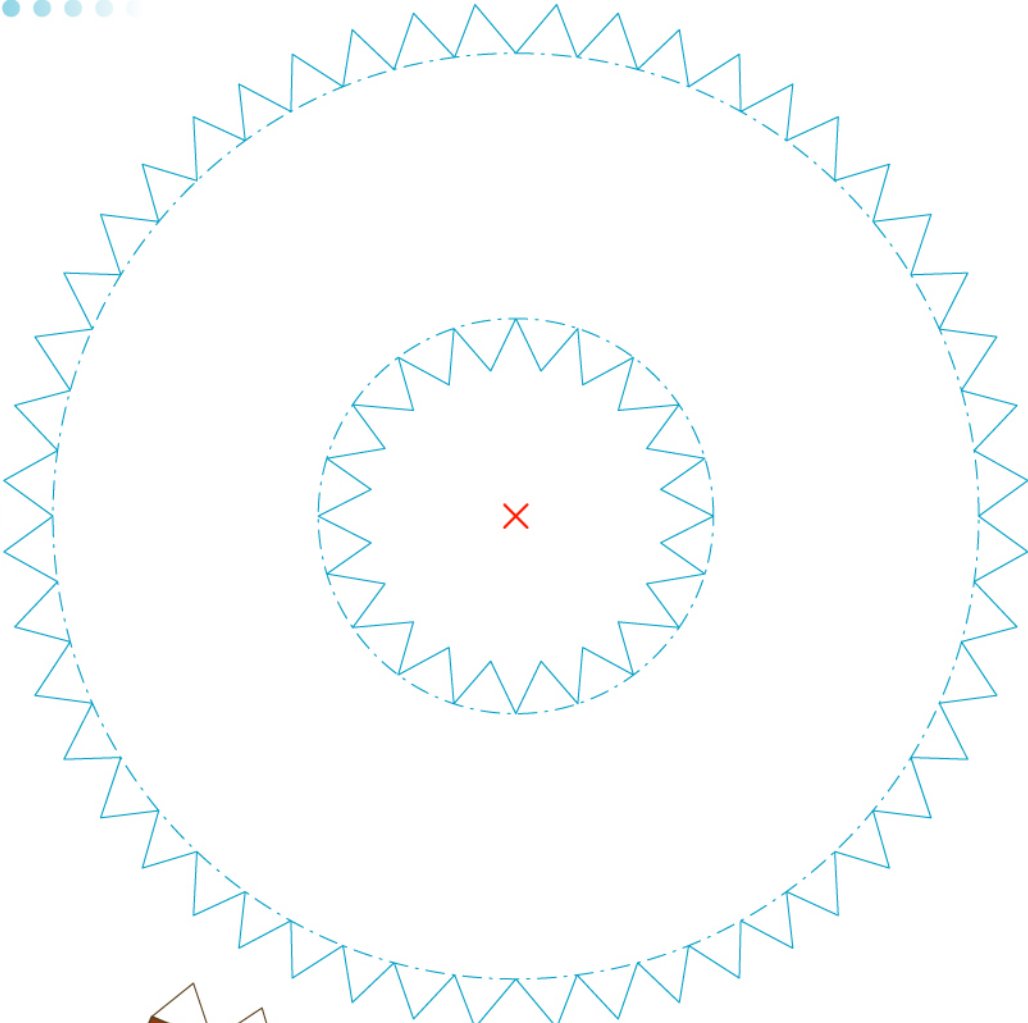


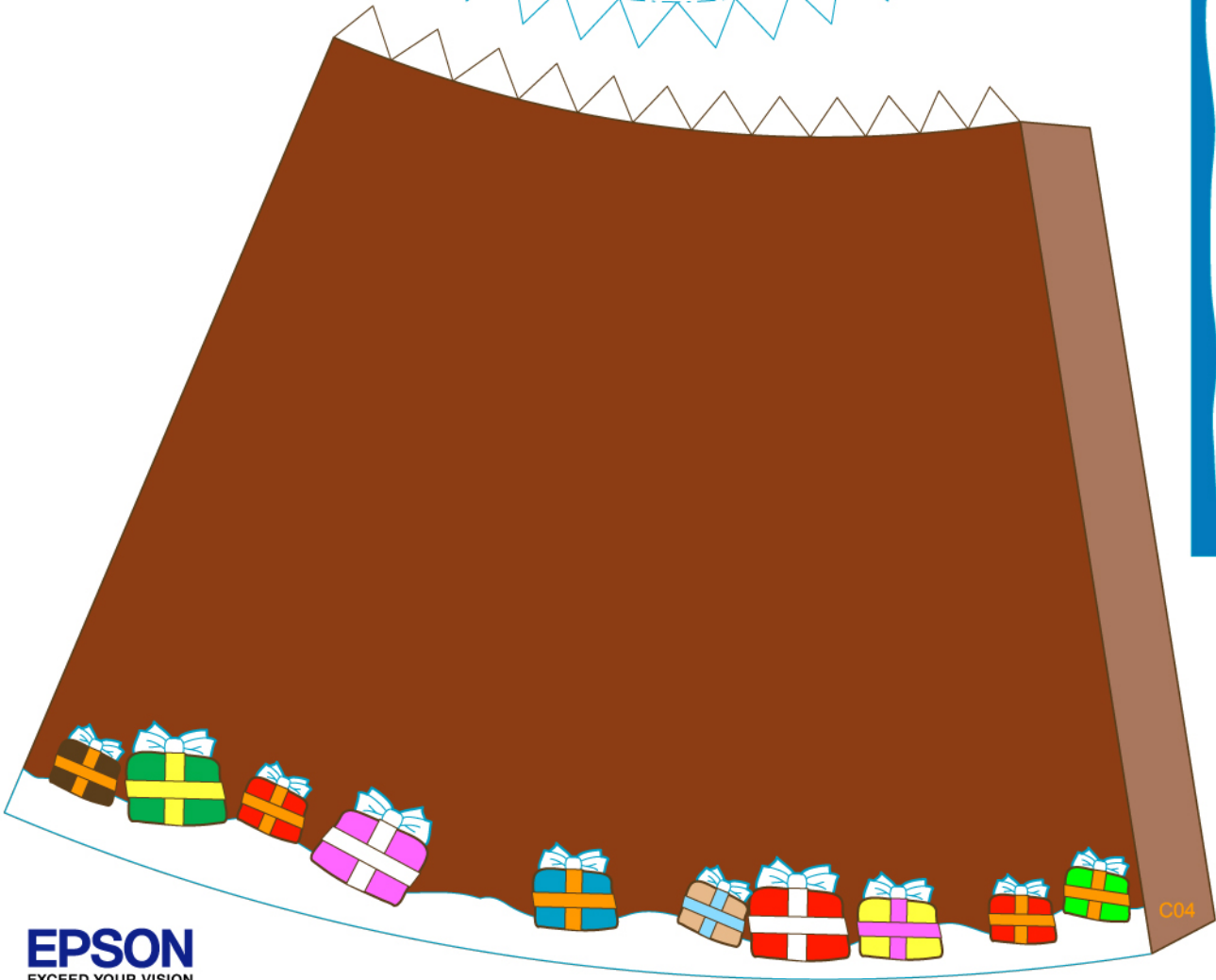




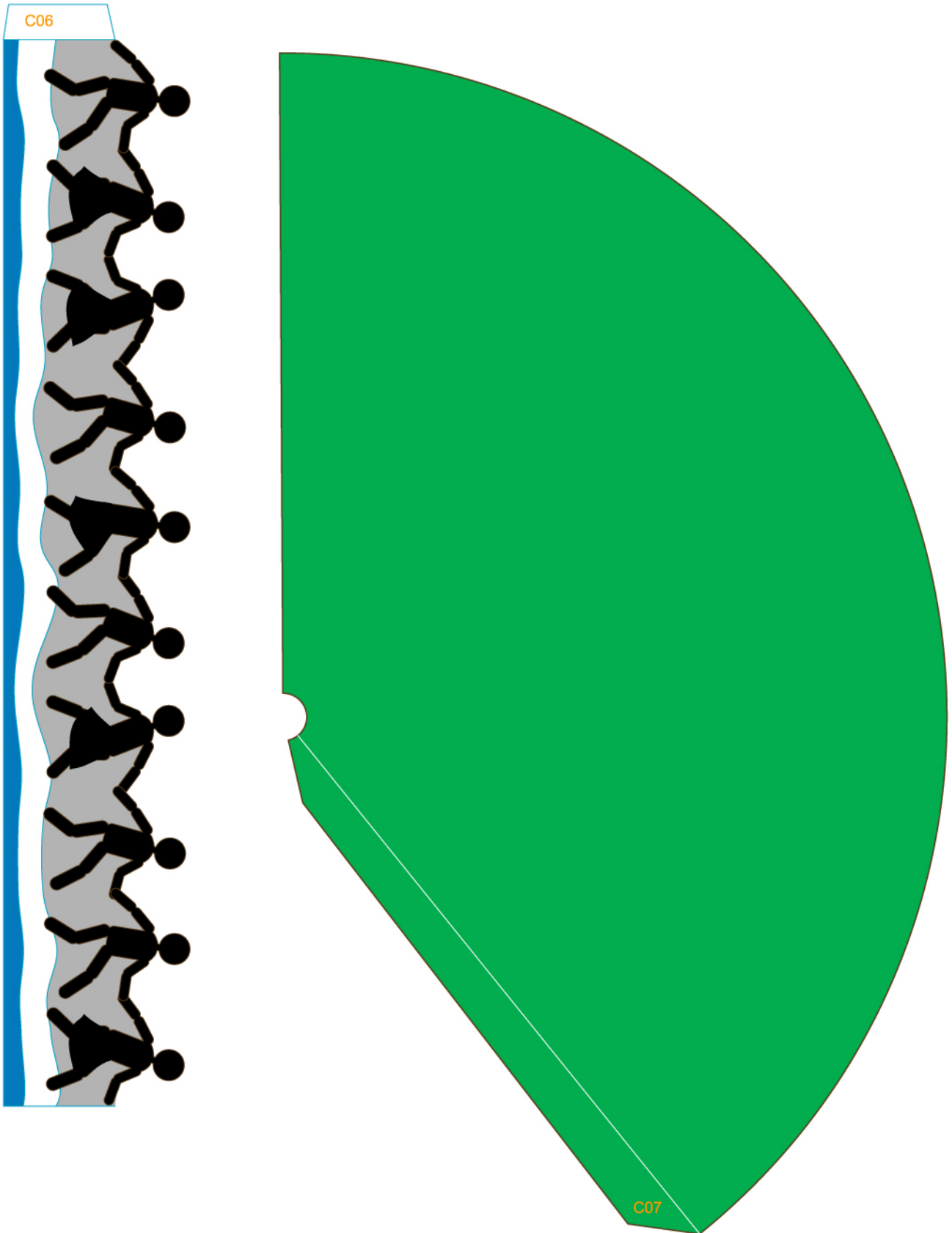
C03



C05





C04



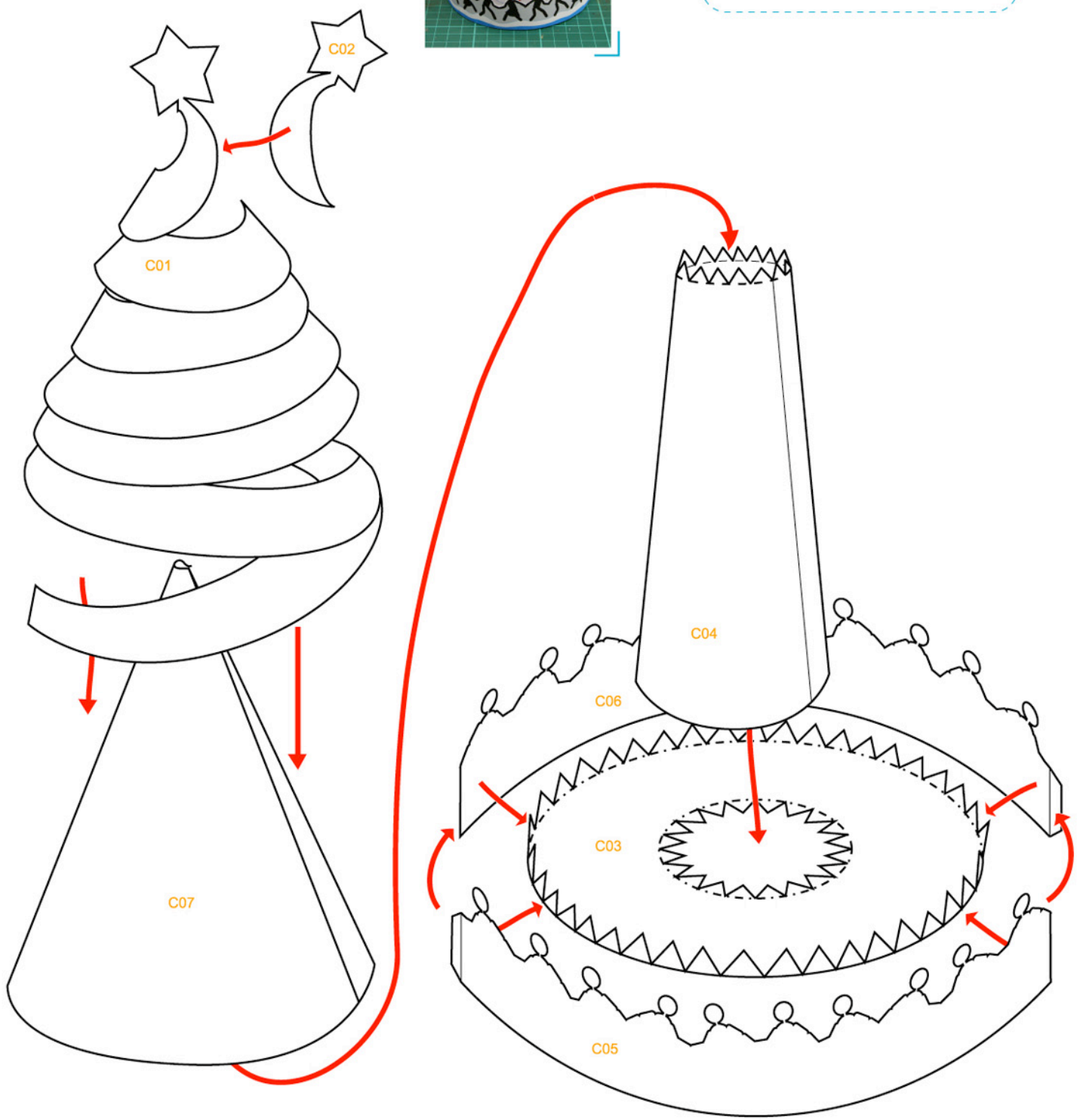
Assembly Instructions



--- Outward fold 

--- Inward fold 

✗ Cut away parts



Basic steps



1 Separate all parts along the lines. Mark their identity on the back to avoid confusion.

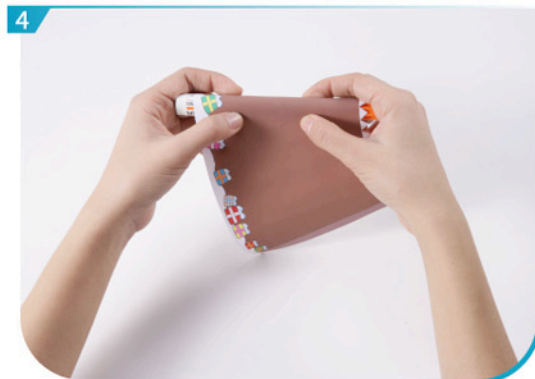


2 Cut out parts which are marked with an 'x'.



3 Use a pen whose ink has dried out, or a tracer, to trace lines first.

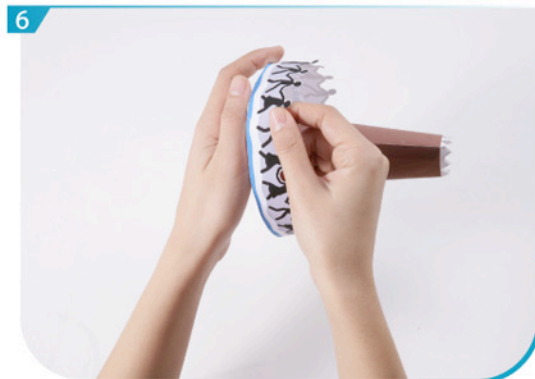
Trunk and Base



4 Use a cylindrical pen to roll C04, C05 and C06.



5 Use a cylindrical pen to roll P04s and glue well to form the trunk. Glue C03 and the trunk together to form the base.

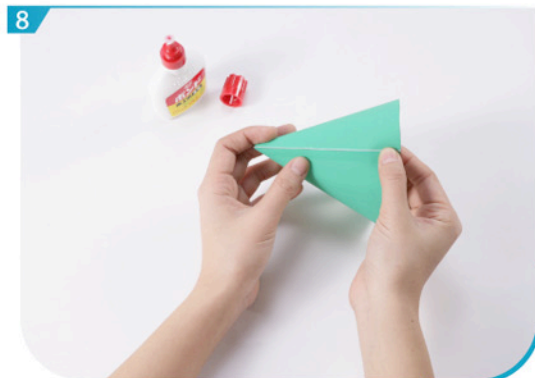


6 Glue C05 and C06 together, then bind them to the base.

Tree



7 Use a cylindrical pen to roll C07.



8 Glue C07 to form the tree.

Basic steps



9
Glue the star shape of C01 and C02 together, then bind them to form the decoration.



10
Glue the star to the top of tree, then roll and glue the decoration along the tree.



11
Finally, glue the trunk and the tree together. Christmas tree is done.